

STANDARD PLANS
For
LAWN STORAGE BUILDINGS (SHEDS)

The City of Saint Cloud Building Department is pleased to announce a new program for owners who wish to build their own lawn storage building (shed). The department has come up with a typical design that can be used to construct a frame building with a maximum width and length of ten feet. The plans give you options for placement of windows and doors allows options for the exterior finish, and also gives you options for building on a slab or an anchored wood floor system.

Good luck with your project.

BUILD - A - SHED

Standard Details for Wood Framed Sheds

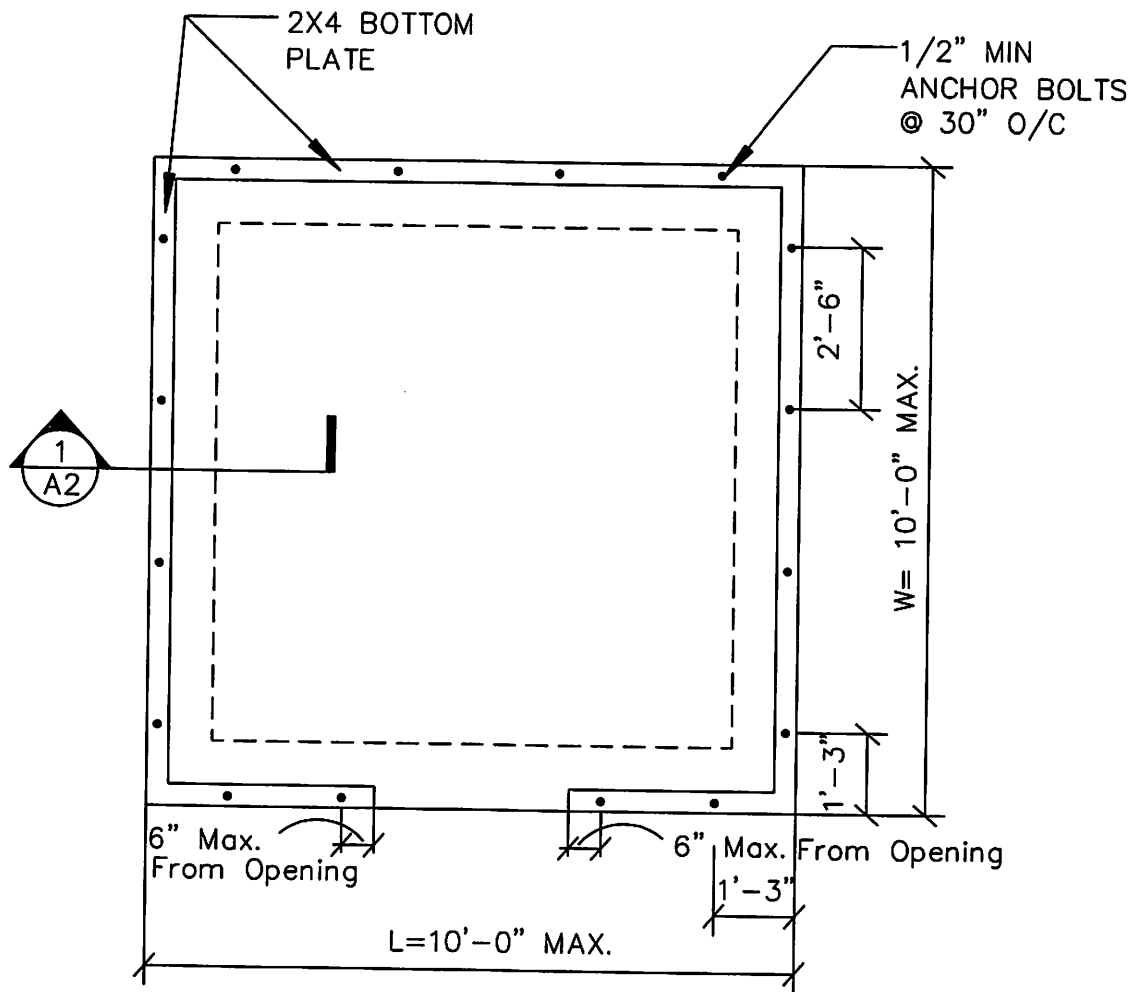
Index to Drawings	
Description	Drawing No.
Cover Sheet	C-1
General Notes	G-1
Foundation Plan (Option 1)	A-1
Wall Section	A-2
Enlarged Details	A-3
Floor Framing Plan (Option 2)	A-4
Cable Tie Down Details	A-5
Floor Framing	A-6
Wall Framing	A-7
Framing at Door Opening	A-8
Framing at Window Opening - Sidewall	A-9
Framing at Window Opening - Endwall	A-10
Connector Details	A-11
Ridge Beam and Collar Beam Details	A-12
Roof Framing Plan	A-13
Nailing Pattern	A-14

Wood Framed Sheds	Cover Sheet	Dwg. Number:	C-1
-------------------	-------------	--------------	-----

General Notes

1. Prescriptive design parameters are according to The Wood Frame Construction Manual 2018 Edition under the provisions of section 1606.1.1, paragraph (4) of the Florida Building Code **Seventh Edition 2020**
2. Wall sheathing shall be exterior grade wood structural panel with a minimum thickness of ½ inch if installed horizontally with long dimension on vertical studs or a minimum thickness of 19/32 inch if installed vertically on studs.
3. Exterior wall vapor barrier, siding or finish is optional.
4. Wall studs spacing shall not exceed 24" on center.
5. Window openings are optional, locations are at the center of the wall. Width of window opening shall not exceed 4 ft.
6. Header lumber for window and door openings up to 4 ft wide shall be made of 2-2"x 4".
7. Jack studs to support headers on window and door openings up to 4ft wide shall be made of 1-2" x 4" located at each end of the header.
8. Roof rafter spacing shall not exceed 24" on center.
9. Collar ties (collar beams) of nominal 2"x 4" lumber shall be located in the upper third of the attic space and attached to rafters with a minimum of 2-10d common nails at each end.
10. Roof sheathing shall be a minimum of 7/16" thick of wood structural panel and shall be installed with the long dimension across the rafter supports. Edges of all 7/16 inch roof structural panel supported at 24" on center, shall be supported with blocking or edge clips.
11. Roof structural panel shall be attached to supports with 8d common nails or 10d box nails and spacing shall not exceed 6" on center.
12. Roofing material, windows and doors shall have a Florida product approval and shall be installed according to manufacturer's specifications.

Wood Framed Sheds	General Notes	Dwg. Number:	G-1
--------------------------	----------------------	---------------------	------------

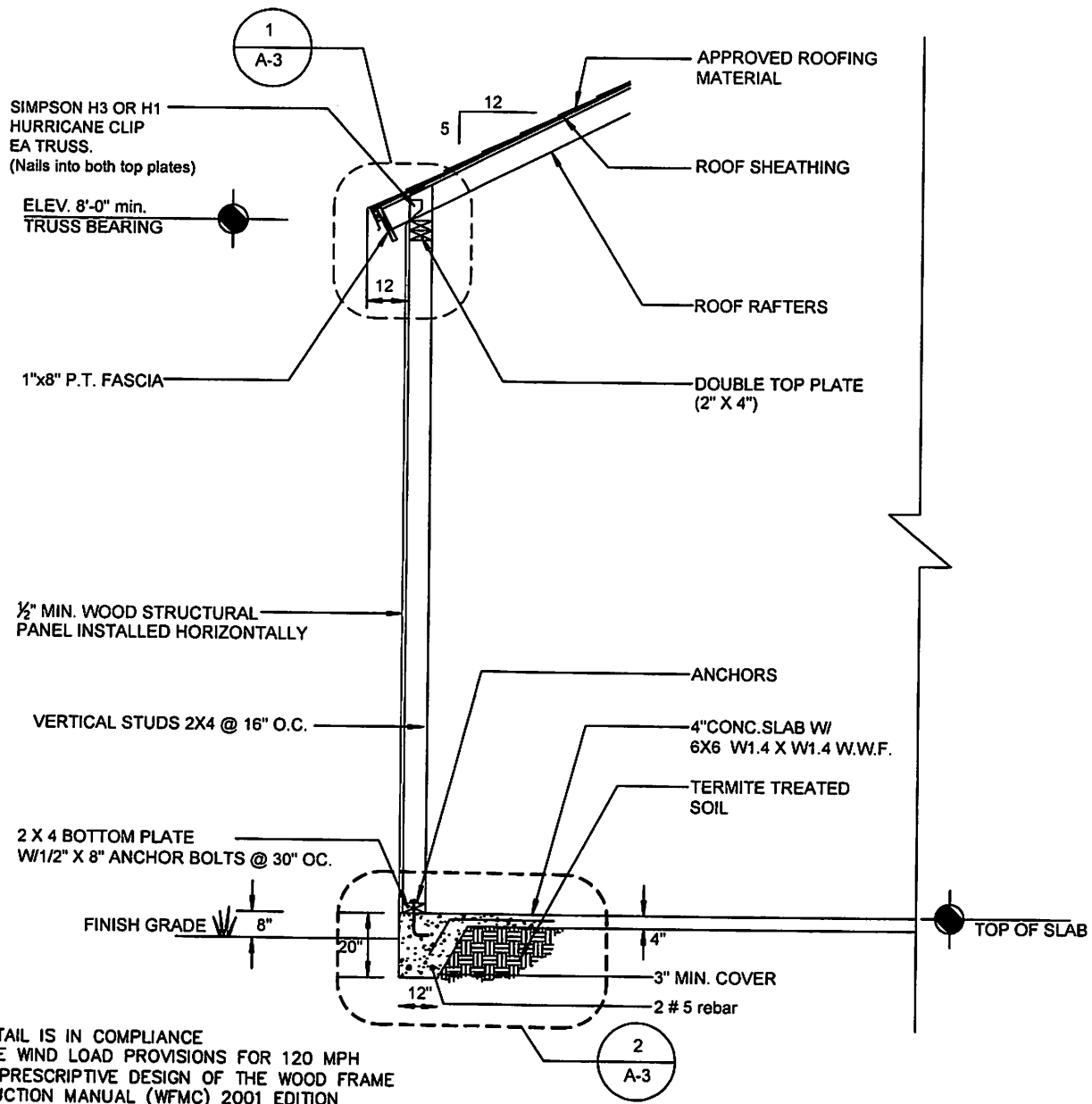


THIS DETAIL IS IN COMPLIANCE WITH THE WIND LOAD PROVISIONS FOR 120 MPH OF THE PRESCRIPTIVE DESIGN OF THE WOOD FRAME CONSTRUCTION MANUAL (WFMC) 2001 EDITION

WOOD FRAMED SHEDS

OPTION 1
SLAB ON GRADE
FOUNDATION PLAN

DETAIL NUMBER:	A-1	
SPEC. NUMBER:	45MM	
SCALE:	3/8"=1'-0"	
DATE:	12/14/04	REVISION DATE:
		3/15/05
DRAWN BY:	ANGEL	APPROVED BY:



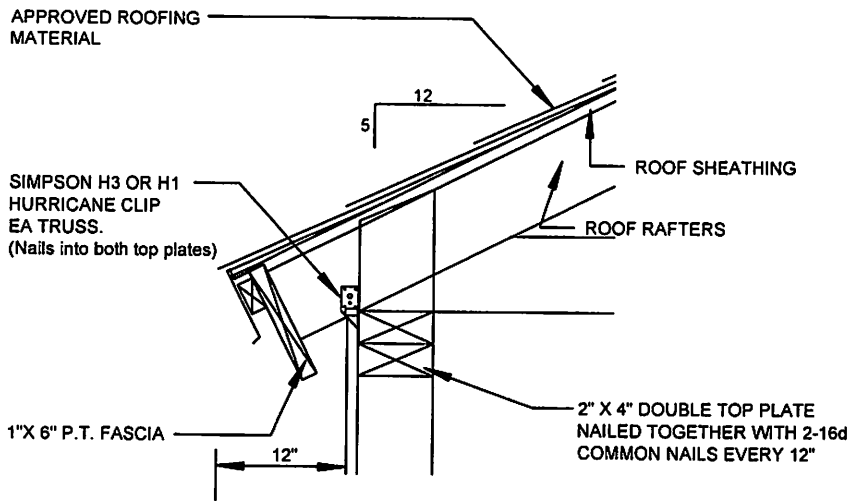
THIS DETAIL IS IN COMPLIANCE WITH THE WIND LOAD PROVISIONS FOR 120 MPH OF THE PRESCRIPTIVE DESIGN OF THE WOOD FRAME CONSTRUCTION MANUAL (WFMC) 2001 EDITION

1
A-2

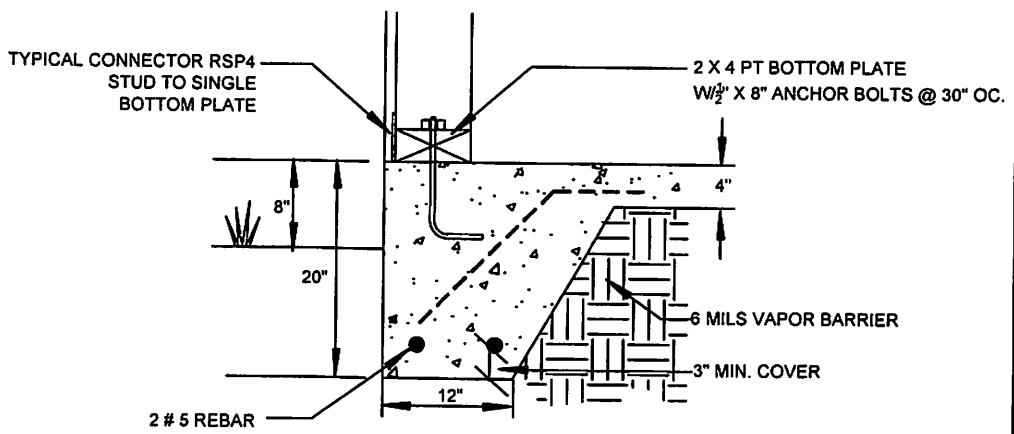
STANDARD DETAIL

SCALE = 1/4" = 1'-0"

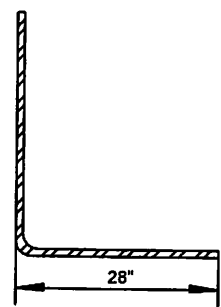
WOOD FRAMED SHEDS	STANDARD DETAIL	DETAIL NUMBER: A-2
	WALL SECTION	SPEC. NUMBER: 45MM
		SCALE: 1/4" = 1'-0"
		DATE: 12/14/04
		REVISION DATE: 3/15/05
		DRAWN BY: ANGEL
		APPROVED BY:



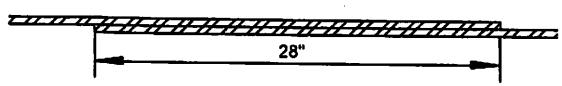
1 WALL TO ROOF DETAIL
 SCALE= 3/4"=1'-0"



2 FOUNDATION DETAIL
 SCALE= 3/4"=1'-0"



4 STANDARD HOOKS FOR #5 BAR
 SCALE= 3/4"=1'-0"



3 SPLICE DETAIL FOR #5 BAR
 SCALE= 3/4"=1'-0"

THIS DETAIL IS IN COMPLIANCE WITH THE WIND LOAD PROVISIONS FOR 120 MPH OF THE PRESCRIPTIVE DESIGN OF THE WOOD FRAME CONSTRUCTION MANUAL (WFMC) 2001 EDITION

WOOD FRAMED SHEDS

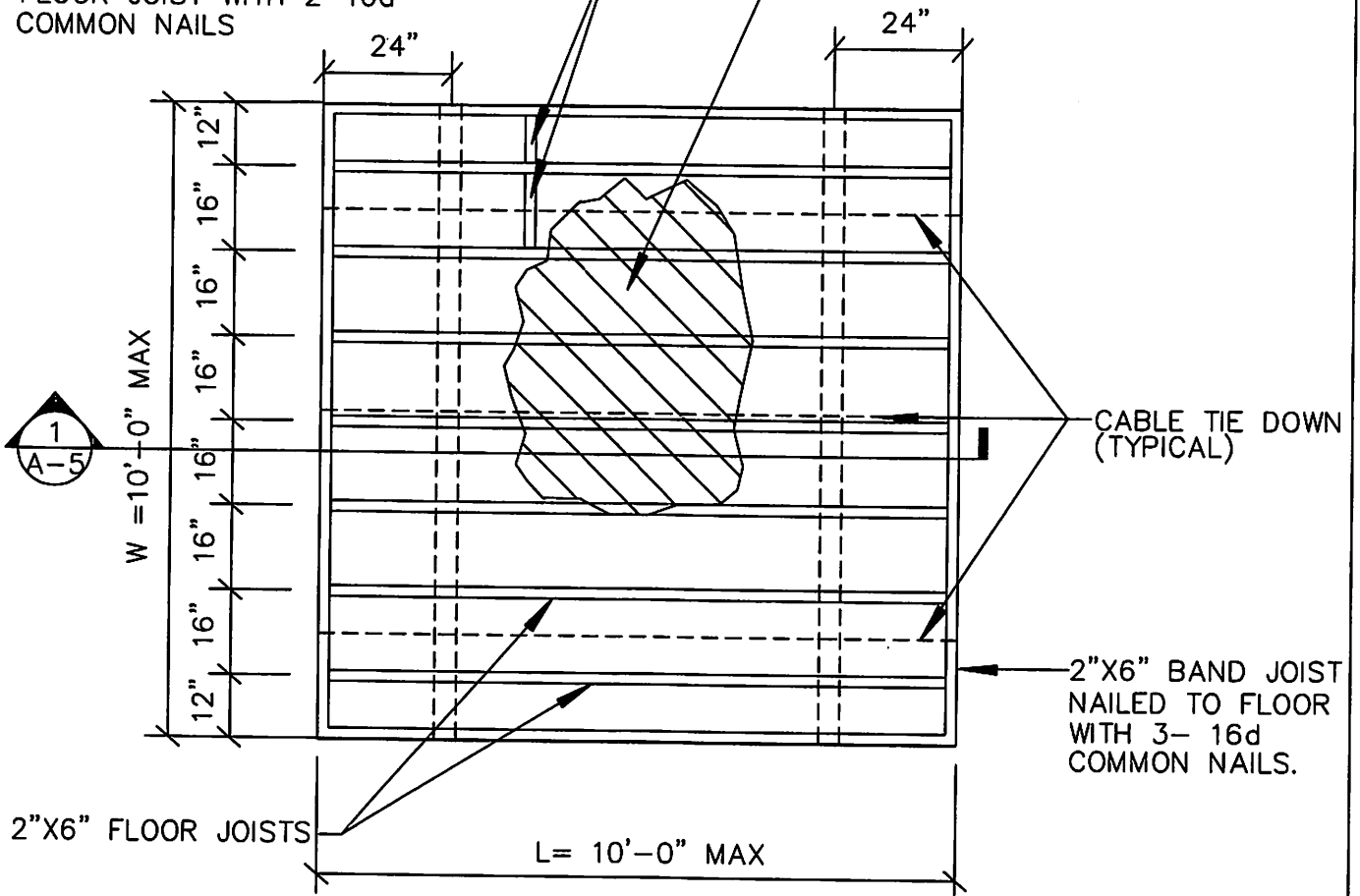
STANDARD DETAILS

ENLARGED DETAIL

DETAIL NUMBER:	A-3	
SPEC. NUMBER:	45MM	
SCALE:	3/4"=1'-0"	
DATE:	12/14/04	REVISION DATE: 3/15/05
DRAWN BY:	ANGEL	APPROVED BY:

5/8" WOOD STRUCTURAL PANEL ON FLOOR
 NAILED TO FLOOR JOIST AND BLOCKING WITH
 8d COMMON NAILS

2"x4" TYPICAL BLOCKING UNDERNEATH
 PLYWOOD JOINTS NAILED TO
 FLOOR JOIST WITH 2-16d
 COMMON NAILS

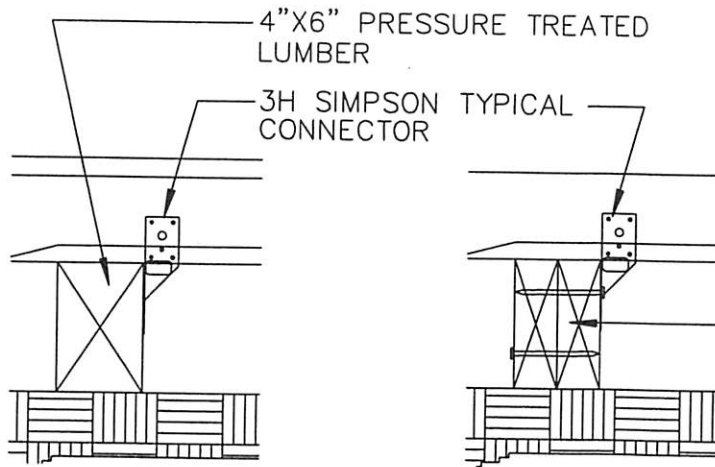
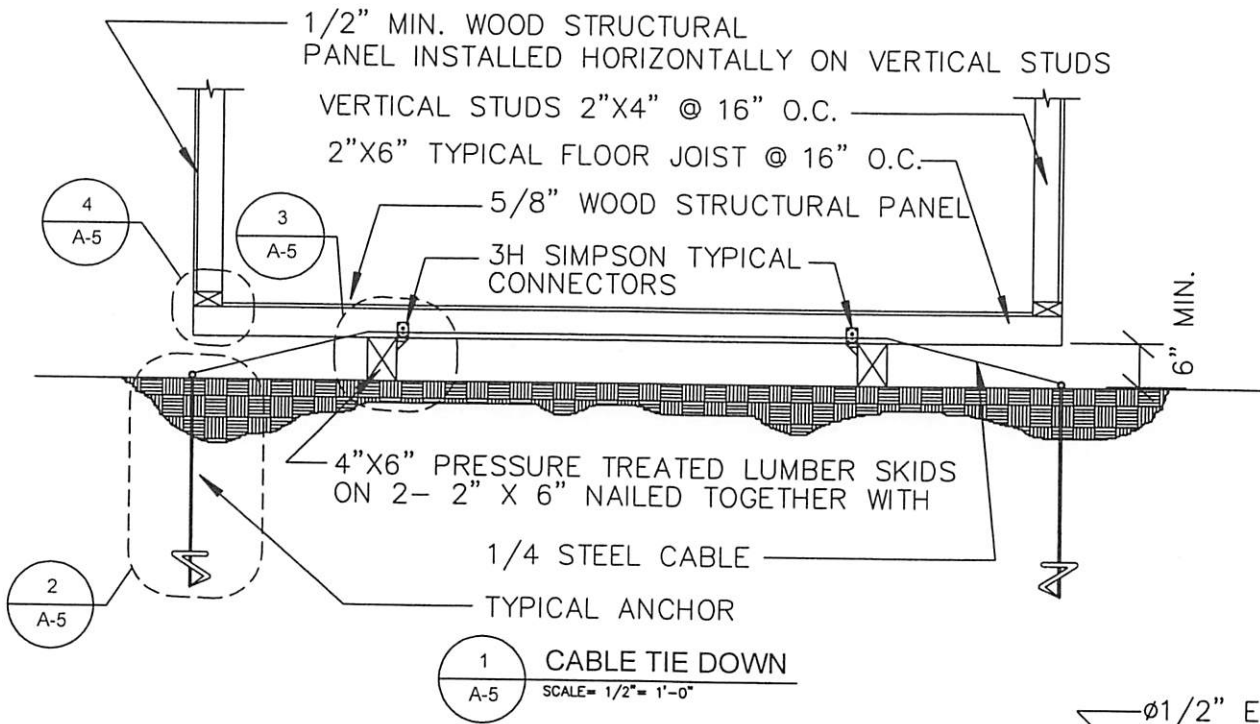


THIS DETAIL IS IN COMPLIANCE
 WITH THE WIND LOAD PROVISIONS FOR 120 MPH
 OF THE PRESCRIPTIVE DESIGN OF THE WOOD FRAME
 CONSTRUCTION MANUAL (WFMC) 2001 EDITION

WOOD FRAMED
 SHEDS

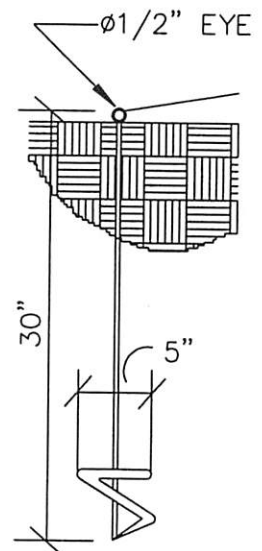
OPTION 2
 FLOOR FRAMING PLAN

DETAIL NUMBER:	A-4	
SPEC. NUMBER:	45MM	
SCALE:	3/8"=1'-0"	
DATE:	12/14/04	REVISION DATE: 3/15/05
DRAWN BY:	ANGEL	
APPROVED BY:		



3 (OPTION A)
A-5 SCALE= 1-1/2"= 1'-0"

3 (OPTION B)
A-5 SCALE= 1-1/2"= 1'-0"

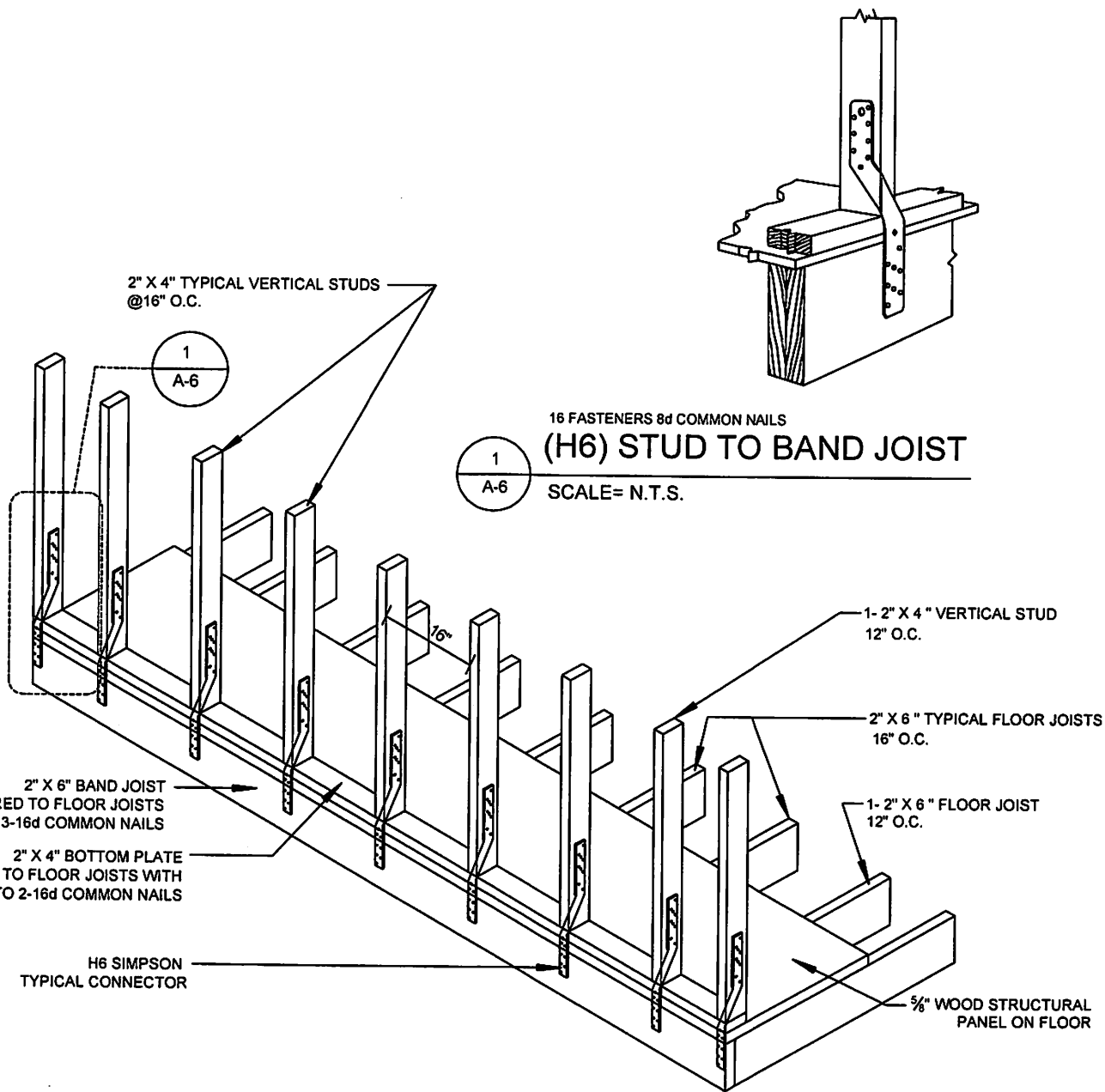


2 TYPICAL ANCHOR
A-5 SCALE= 1"= 1'-0"

WOOD FRAMED SHEDS

OPTION 2 FLOOR FRAMING DETAIL
CABLE TIE DOWN

DETAIL NUMBER:	A-5	
SPEC. NUMBER:		
SCALE:	1/2"=1'-0"	
DATE:	12/14/04	REVISION DATE: 3/15/05
DRAWN BY:	ANGEL	APPROVED BY:

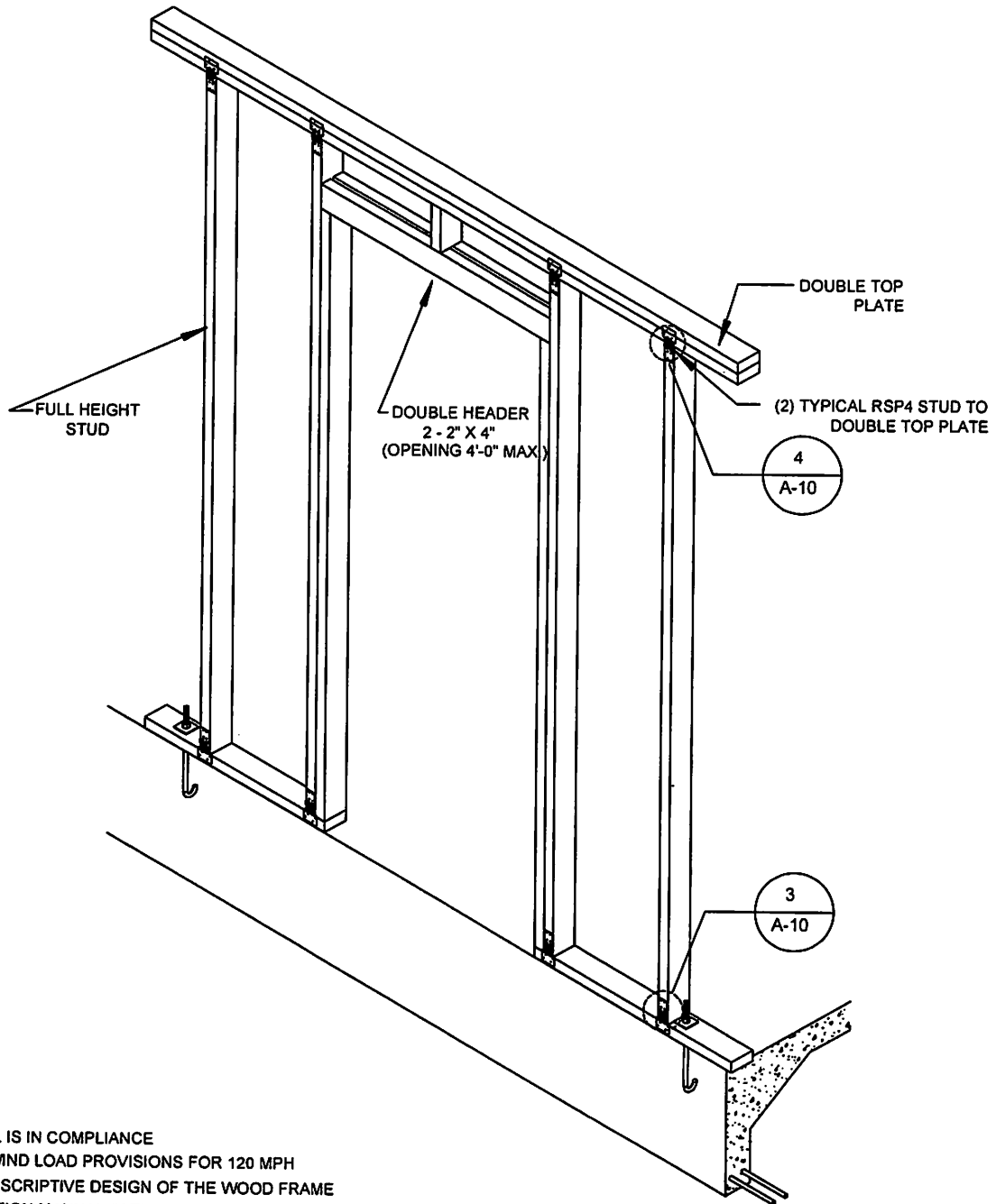


THIS DETAIL IS IN COMPLIANCE WITH THE WIND LOAD PROVISIONS FOR 120 MPH OF THE PRESCRIPTIVE DESIGN OF THE WOOD FRAME CONSTRUCTION MANUAL (WFMC) 2001 EDITION

WOOD FRAMED SHEDS

STANDARD DETAIL
FLOOR FRAMING

DETAIL NUMBER:	A-6
SPEC. NUMBER:	45MM
SCALE:	3/8"=1'-0"
DATE:	12/14/04
REVISION DATE:	3/15/05
DRAWN BY:	ANGEL
APPROVED BY:	



THIS DETAIL IS IN COMPLIANCE
 WITH THE WIND LOAD PROVISIONS FOR 120 MPH
 OF THE PRESCRIPTIVE DESIGN OF THE WOOD FRAME
 CONSTRUCTION MANUAL (WFMC) 2001 EDITION

WOOD FRAMED
 SHEDS

STANDARD DETAIL
 FRAMING AT DOOR OPENING

DETAIL NUMBER:		A-8
SPEC. NUMBER:		45MM
SCALE:		3/8"=1'-0"
DATE:	REVISION DATE:	
12/14/04	3/15/05	
DRAWN BY:	APPROVED BY:	
ANGEL		

SIM 2
1
A-10

FULL HEIGHT STUD

DOUBLE HEADER
2 - 2" X 4"
(OPENING 4'-0" MAX.)

DOUBLE TOP PLATE

(2) TYPICAL RSP4 STUD TO DOUBLE TOP PLATE

4
A-10

(1) TYPICAL RSP4 STUD TO SINGLE BOTTOM PLATE

3
A-10

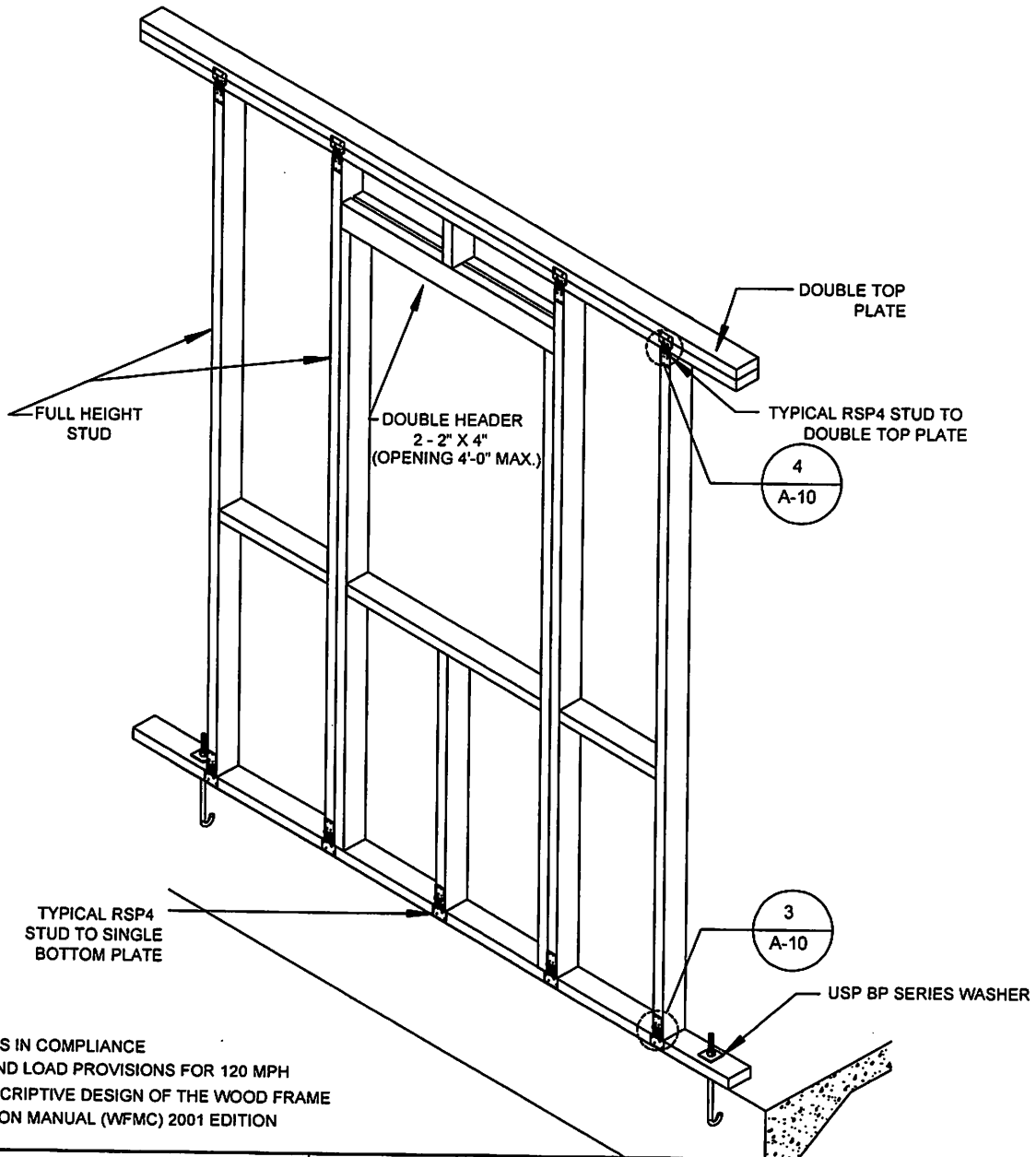
THIS DETAIL IS IN COMPLIANCE WITH THE WIND LOAD PROVISIONS FOR 120 MPH OF THE PRESCRIPTIVE DESIGN OF THE WOOD FRAME CONSTRUCTION MANUAL (WFMC) 2001 EDITION

WOOD FRAMED SHEDS

STANDARD DETAIL

FRAMING AT WINDOW OPENING SIDEWALL

DETAIL NUMBER:	A-9
SPEC. NUMBER:	45MM
SCALE:	3/8"=1'-0"
DATE:	12/14/04
REVISION DATE:	3/15/05
DRAWN BY:	ANGEL
APPROVED BY:	



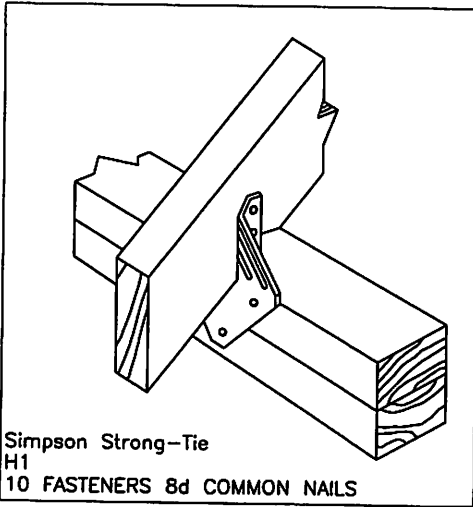
THIS DETAIL IS IN COMPLIANCE WITH THE WIND LOAD PROVISIONS FOR 120 MPH OF THE PRESCRIPTIVE DESIGN OF THE WOOD FRAME CONSTRUCTION MANUAL (WFMC) 2001 EDITION

WOOD FRAMED SHEDS

STANDARD DETAIL

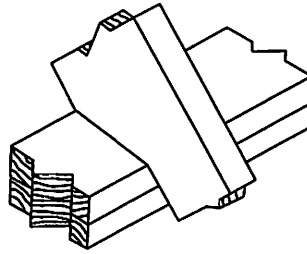
FRAMING AT WINDOW OPENING ENDWALL

DETAIL NUMBER:		A-10	
SPEC. NUMBER:		45MM	
SCALE: 3/8"=1'-0"			
DATE:	12/14/04	REVISION DATE:	3/15/05
DRAWN BY:	ANGEL	APPROVED BY:	

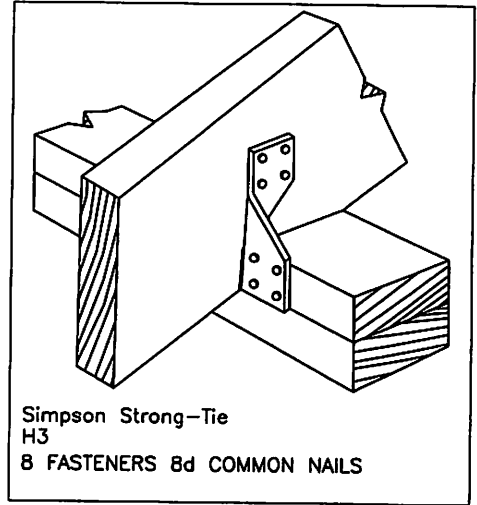


Simpson Strong-Tie
H1
10 FASTENERS 8d COMMON NAILS

1 (H1) ROOF DETAIL
A-10 N.T.S.

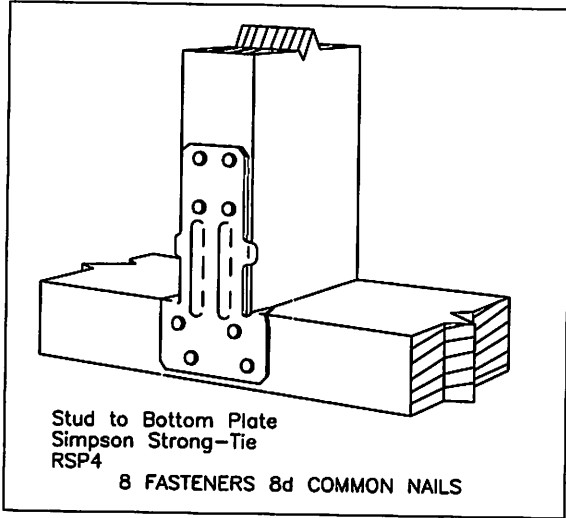


2 RAFTERS NOTCHED AT
TOP PLATE (BIRD MOUTH CUT)
A-10 N.T.S.



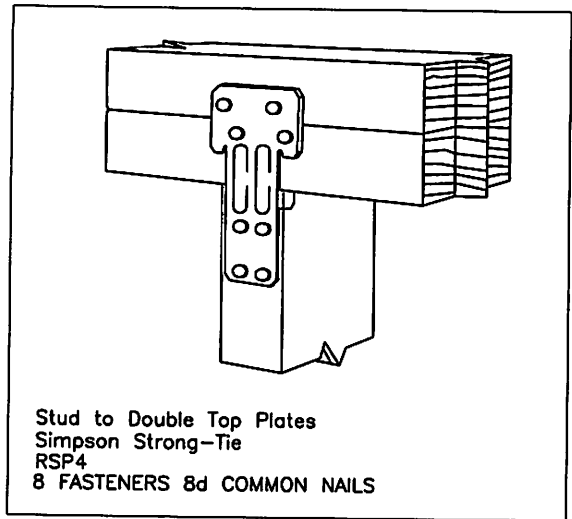
Simpson Strong-Tie
H3
8 FASTENERS 8d COMMON NAILS

3 (H3) ROOF DETAIL
A-10 N.T.S.



Stud to Bottom Plate
Simpson Strong-Tie
RSP4
8 FASTENERS 8d COMMON NAILS

4 (1) TYPICAL RSP4
STUD SINGLE BOTTOM PLATE
A-10 N.T.S.



Stud to Double Top Plates
Simpson Strong-Tie
RSP4
8 FASTENERS 8d COMMON NAILS

5 (2) TYPICAL RSP4
STUD TO DOUBLE TOP PLATE
A-10 N.T.S.

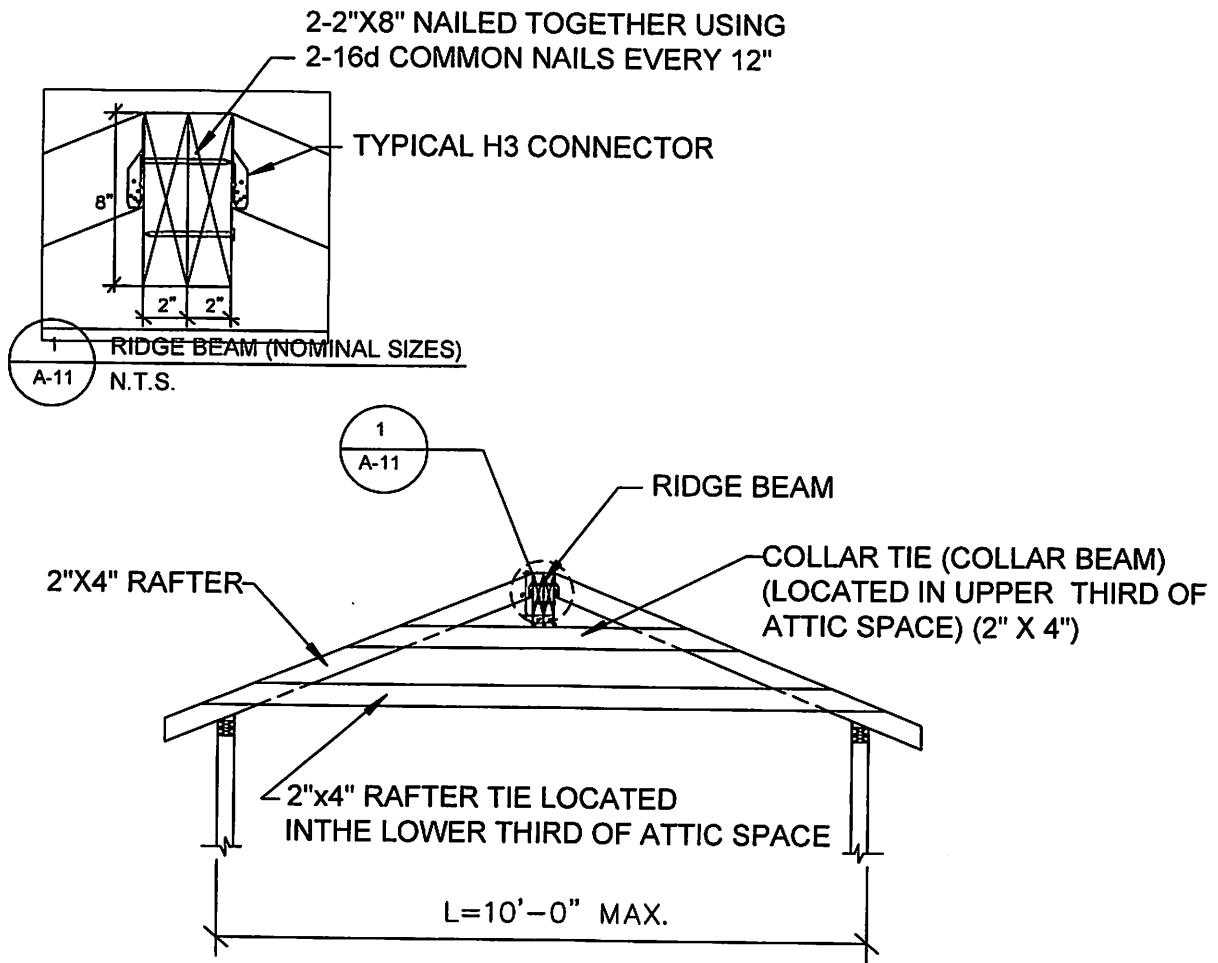
THIS DETAIL IS IN COMPLIANCE
WITH THE WIND LOAD PROVISIONS FOR 120 MPH
OF THE PRESCRIPTIVE DESIGN OF THE WOOD FRAME
CONSTRUCTION MANUAL (WFMC) 2001 EDITION

WOOD FRAMED
SHEDS

STANDARD DETAIL

CONNECTOR DETAILS

DETAIL NUMBER:		A-11	
SPEC. NUMBER:		45MM	
SCALE:		N.T.S.	
DATE:	12/14/04	REVISION DATE:	3/15/05
DRAWN BY:	ANGEL	APPROVED BY:	



THIS DETAIL IS IN COMPLIANCE
WITH THE WIND LOAD PROVISIONS FOR 120 MPH
OF THE PRESCRIPTIVE DESIGN OF THE WOOD FRAME
CONSTRUCTION MANUAL (WFMC) 2001 EDITION

WOOD FRAMED
SHEDS

STANDARD DETAIL

RIDGE BEAM AND
COLLAR TIE DETAIL

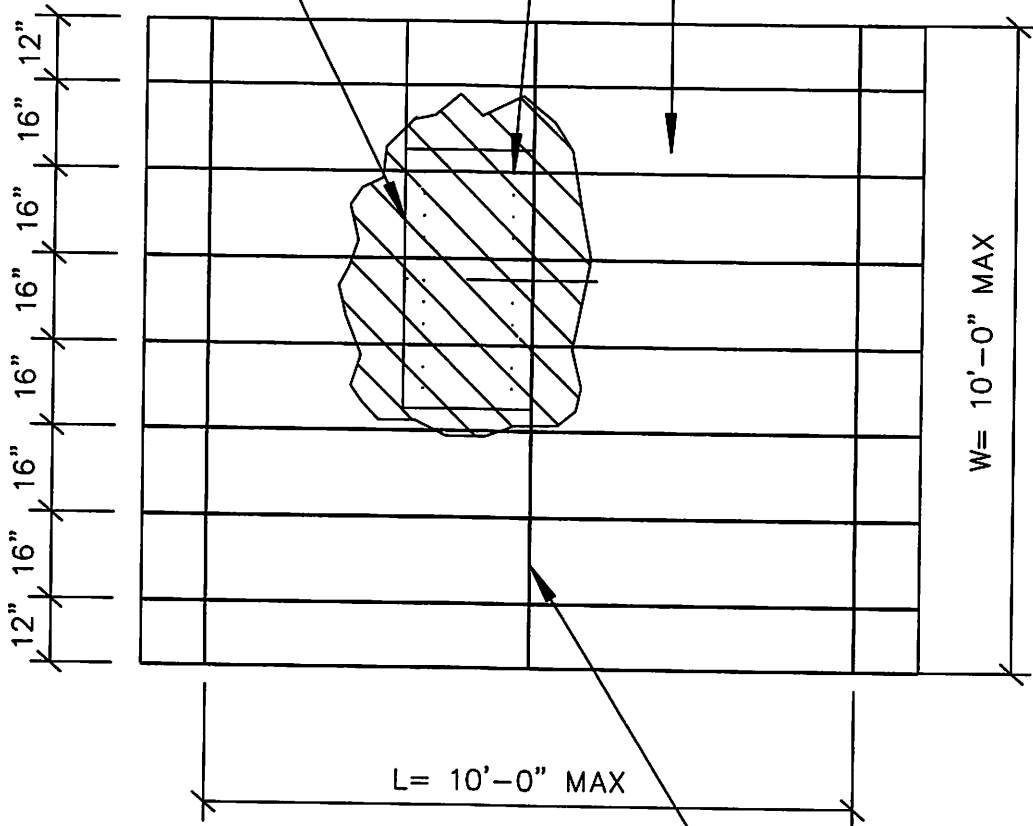
DETAIL NUMBER:		A-12	
SPEC. NUMBER:		45MM	
SCALE:		3/8"=1'-0"	
DATE:	REVISION DATE:		
12/14/04	3/15/05		
DRAWN BY:	APPROVED BY:		
ANGEL			

8d COMMON NAILS
OR
10d BOX NAILS

6" O.C. AT EDGES
12" O.C. INTERMEDIATE

RAFTERS 16" O.C.

ROOF SHEATHING



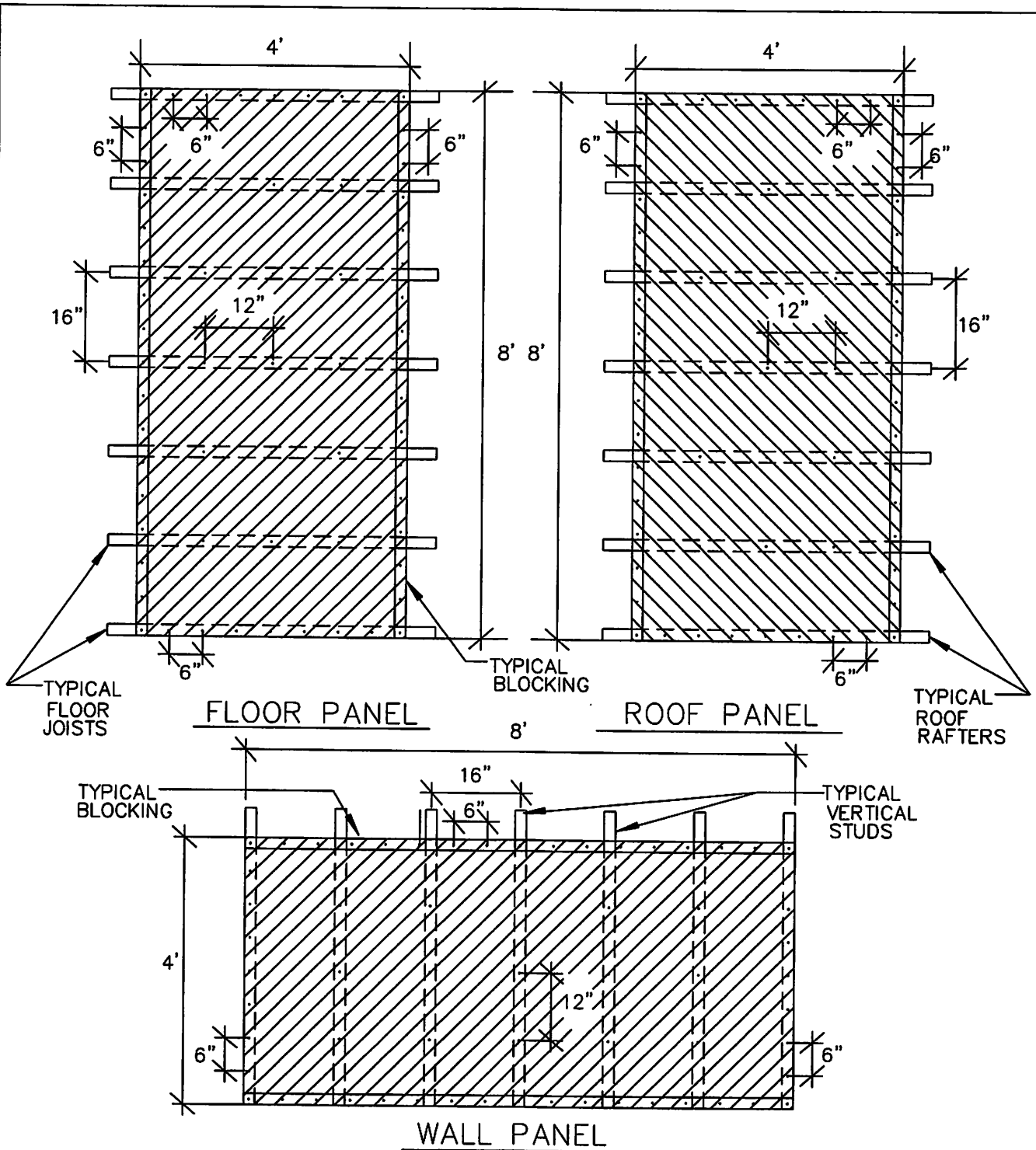
RIDGE BOARD

THIS DETAIL IS IN COMPLIANCE
WITH THE WIND LOAD PROVISIONS FOR 120 MPH
OF THE PRESCRIPTIVE DESIGN OF THE WOOD FRAME
CONSTRUCTION MANUAL (WFMC) 2001 EDITION

WOOD FRAMED
SHEDS

STANDARD DETAIL
ROOF FRAMING PLAN

DETAIL NUMBER:		A-13	
SPEC. NUMBER:		45MM	
SCALE:		3/8"=1'-0"	
DATE:	REVISION DATE:	12/14/04	3/15/05
DRAWN BY:	APPROVED BY:	ANGEL	

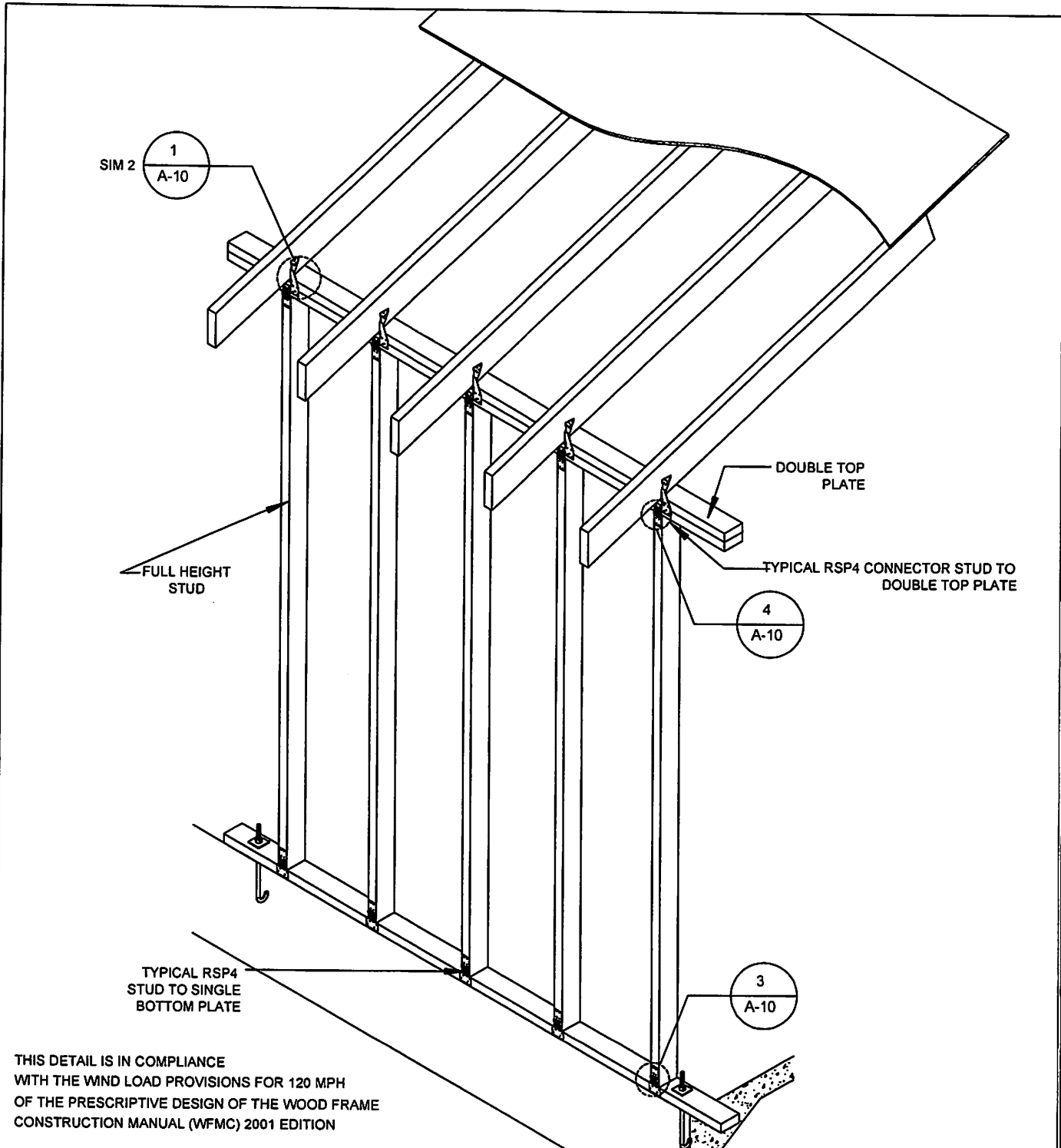


WOOD FRAMED SHEDS

NAILING PATTERN

WOOD STRUCTURAL PANELS

DETAIL NUMBER:		A-14	
SPEC. NUMBER:		45MM	
SCALE: 3/8"=1'-0"			
DATE:	12/14/04	REVISION DATE:	3/15/05
DRAWN BY:	ANGEL	APPROVED BY:	



WOOD FRAMED SHEDS

STANDARD DETAIL
WALL FRAMING

DETAIL NUMBER:		A-7
SPEC. NUMBER:		45MM
SCALE:		3/8"=1'-0"
DATE:	REVISION DATE:	
12/14/04	3/15/05	
DRAWN BY:	APPROVED BY:	
ANGEL		